

SCRIBE 75X15 U SUPERFAST

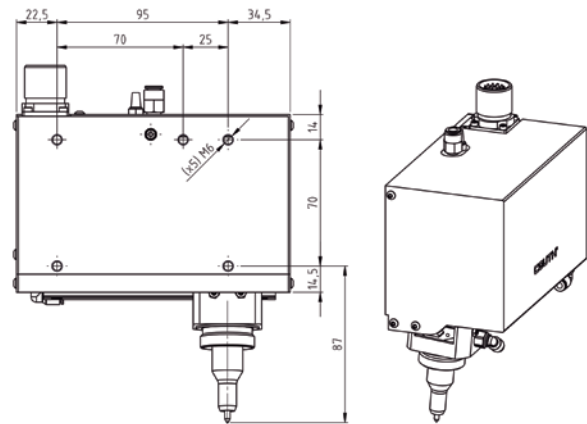
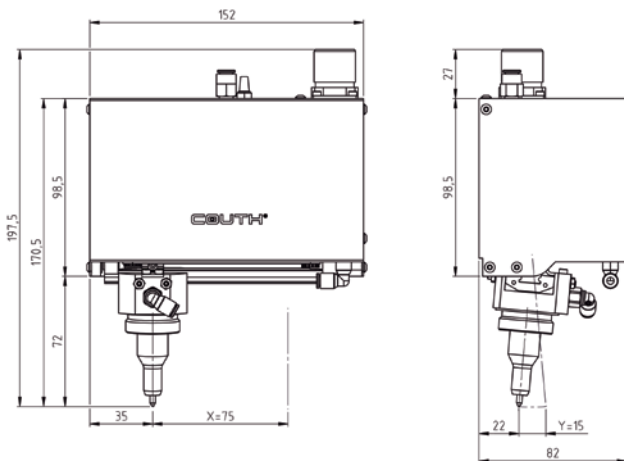
INTEGRABLE · SCRIBE MARKING

- Scribe marking unit, **silent and compact**, with **top speed and small size**, especially designed for integration in production lines.



ADVANTAGES

- **Silent**, improves comfort in the working environment and for the operator.
- Minimum dimensions, making it the **smallest and fastest scribe marking machine on the market**.
- **High marking speed**, for all kinds of materials and hardnesses up to 62HRC.
- Great **reliability**, uninterrupted productions and lower maintenance costs.
- Highly **robust and long-lasting**, thanks to the high quality of its components.



Area	Dimensions (mm)			Weight	Depth
	X x Y	Width	Depth		
75 x 15	190	86	179	3.8	0.05 mm

CHARACTERISTICS

- 75 x 15 mm marking area.
- Mark depth, up to 0.05 mm.
- Up to 2-bar air pressure.
- Speed up to 16 characters/second.
- Hardness of materials to mark up to 62HRC.
- Wide range of characters, from 0.1 mm to complete area.
- Marking alphanumeric codes, logotypes, DATAMATRIX™, QR codes, etc.
- R14 marking cylinder.
- Optional protection system with cover.
- 2.5-meter robotics cable, with customisation possibilities.
- Connection with COUTH control unit for integration in production lines (see technical file for more information).
- PC edition software.