

SCRIBE 80X80 U STANDARD

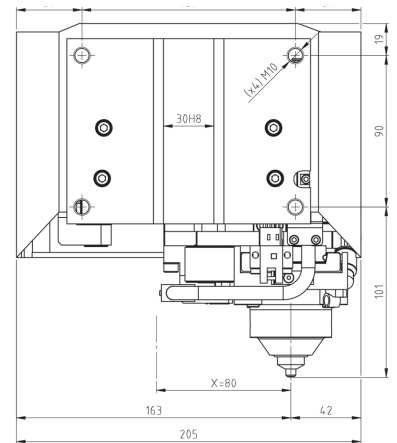
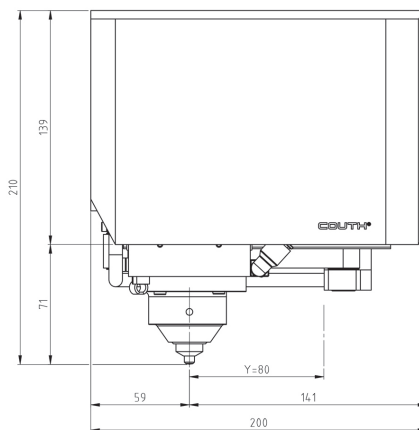
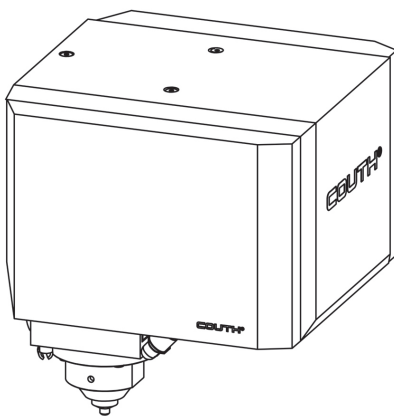
INTEGRABLE · SCRIBE MARKING

- Scribe marking unit, **silent and compact**, with **small dimensions**, especially designed for integration in production lines.



ADVANTAGES

- **Silent**, improves comfort in the working environment and for the operator.
- **Minimum dimensions**, making it the **smallest scribe marking machine in its category on the market**.
- Great **reliability**, uninterrupted productions and lower maintenance costs.
- Highly **robust and long-lasting**, thanks to the high quality of its components.
- **High marking speed**, for all kinds of materials and hardnesses up to 62HRC.
- Mark verification with **encoders**.
- Circular connector that **facilitates assembly and disassembly**.
- Bi-color LED, **visual information** on the machine's status.



Area	Dimensions (mm)			Weight	Depth
X x Y	Width	Depth	Height	Kg	Maximum
80 x 80	200	205	101	9.2	0.2 mm

CHARACTERISTICS

- 80 x 80 mm marking area.
- Mark depth, up to 0.2 mm.
- Up to 3-bar air pressure.
- Speed up to 12 characters/second.
- Hardness of materials to mark up to 62HRC.
- Wide range of characters, from 0.1 mm to complete area.
- Marking alphanumeric codes, logotypes, DATAMATRIX[™], QR codes, etc.
- R40B marking cylinder.
- Possibility of using different punch shapes..
- Telescopic plate protection system.
- Built-in encoders to verify the mark.
- Bi-colour LED provides information on the machine's status.
- Built-in circular connector that facilitates maintenance.
- 2.5-meter robotics cable, with customisation possibilities.
- Connection with **COUTHsmartbox control unit** for integration into production lines (see technical file for more information).
- PC edition software.