

DOT 100x17 N SUPERFAST

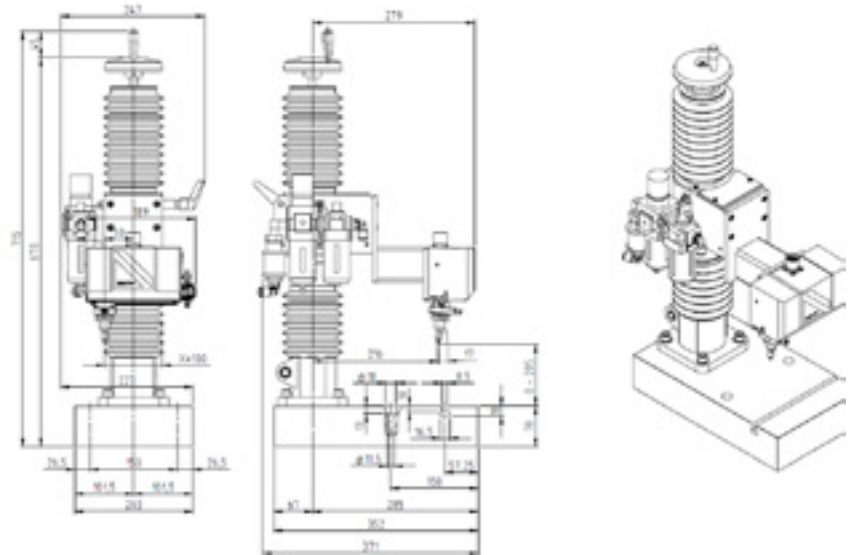
BENCHTOP SYSTEMS · DOT PEEN MARKING

- Dot peen marking station, **autonomous** with height and **maximum speed** regulation. Especially designed for marking small batches and changing productions.



ADVANTAGES

- **Maximum marking speed**, for all kinds of materials and hardnesses up to 62HRC.
- Highly **robust and long-lasting**, thanks to the high quality of its components.
- **Versatility in the size of the pieces to be marked**, thanks to regulation up to 250 mm in height, so you can mark everything from thin sheets to large pieces, including fastening.
- Machined work surface, guaranteeing **precision** in marking.
- T-slot to facilitate **tool placement**.
- Possibility of anchoring the table to a surface for **greater stability**.
- Circular connector, easy assembly and disassembly.



| Area | Dimensions (mm) | | | Weight |
|----------|-----------------|-------|-------|--------|
| | X x Y | Width | Depth | |
| 100 x 17 | 225,5 | 370 | 703 | 29 |

CHARACTERISTICS

- Table for placing tools and plate stand.
- Column with height regulation up to 250 mm
- 100 x 17 mm marking area (with 50 x 25 mm option).
- Speed up to 12 characters/second
- 6-bar air pressure.
- Hardness of materials to mark up to 62HRC.
- Wide range of characters, from 0.1 mm to complete area.
- Marking alphanumeric codes, logotypes, DATAMATRIX™, QR codes, etc.
- Different marking head types, depending on marking needs: pneumatic (N7, N10, N14, N20) and electric (S2, S6).
- Protection system option.
- 2.5-meter robotics cable, with customisation possibilities.
- Connection with COUTH control (see technical file for more information).
- PC edition software.
- Circular connector, easy assembly and disassembly.