

## DOT 160x17 P+N SUPERFAST

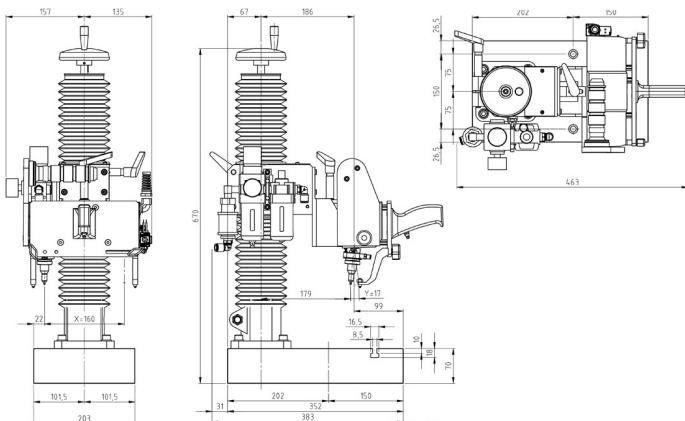
### HYBRID SYSTEMS · DOT PEEN MARKING BENCHTOP+ PORTABLE

- **Hybrid dot peen marking station, autonomous, with height regulation and option to be used portably, with maximum speed. Maximum flexibility in use; station mode for marking small batches and changing productions, portable mode to mark pieces in any area and position. Especially recommended for VIN marking in the automobile industry**



### ADVANTAGES

- **Maximum flexibility**, option to convert the marking station into a portable marking unit.
- **Maximum marking speed**, for all kinds of materials and hardnesses up to 62HRC.
- Highly **robust and long-lasting**, thanks to the high quality of its components.
- **Versatility in the size of the pieces to be marked**, thanks to regulation up to 250 mm in height, so you can mark everything from thin sheets to large pieces, including fastening.
- Machined work surface, guaranteeing **precision** in marking.
- T-slot to facilitate **tool placement**.
- Possibility of anchoring the table to a surface for **greater stability**.
- **Portable version:**
  - Can mark **large pieces**
  - **Ergonomic and lightweight**, facilitates access to any position and handling for the operator,
  - **Built-in supports** for proper securing and distance from the marking unit to the piece, **thereby guaranteeing quality of the mark**.



Area X x Y	Dimensions (mm)			Weight
	Width	Depth	Height	Kg
160 x 17	257.5	440	703.5	33.5

### CHARACTERISTICS

- Table for placing tools and plate stand.
- Column with height regulation up to 250 mm
- 160 x 17 mm marking area (with 160 x 25 mm option).
- Speed up to 16 characters/second
- 6-bar air pressure.
- Hardness of materials to mark up to 62HRC.
- Wide range of characters, from 0.1 mm to complete area.
- Marking alphanumeric codes, logotypes, DATAMATRIX™, QR codes, etc.
- Different marking head types, depending on marking needs: pneumatic (N7, N10, N14, N20) and electric (S2, S6).
- Built-in support; tip or window option, depending on the piece to mark.
- 5-meter robotics cable, with customisation possibilities.
- Connection with **COUTH** control unit (see technical file for more information).
- PC edition software.