

DOT 100x17 U SUPERFAST

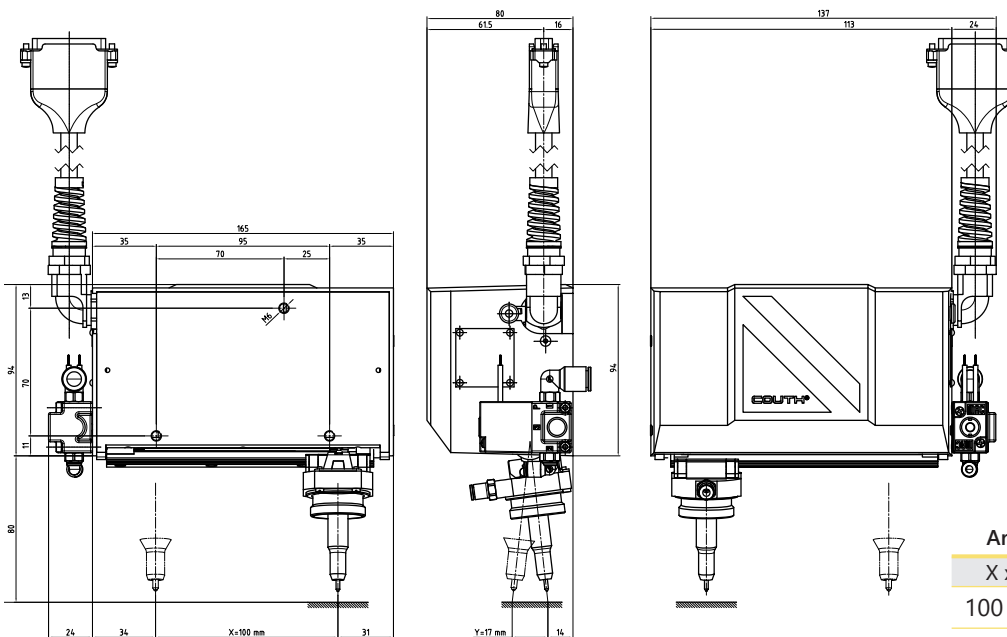
INTEGRABLE · DOT PEEN MARKING

- Dot peen marking unit with **maximum speed**, especially designed to be integrated into production lines.



ADVANTAGES

- **Maximum marking speed**, for all kinds of materials and hardnesses up to 62HRC.
- Maximum reliability, **uninterrupted productions** and reduced maintenance costs.
- Highly **robust and long-lasting**, thanks to the high quality of its components.



Area	Dimensions (mm)			Weight
	X x Y	Width	Depth	
100 x 17	164.5	79	173 (214)	2.2

CHARACTERISTICS

- 100 x 17 mm marking area (with 100 x 25 mm option).
- Speed up to 16 characters/second.
- 6-bar air pressure.
- Hardness of materials to mark up to 62HRC.
- Wide range of characters, from 0.1 mm to complete area.
- Marking alphanumeric codes, logotypes, DATAMATRIX™, QR codes, etc.
- Different marking head types, depending on marking needs: pneumatic (N7, N10, N14, N20) and electric (S2, S6).
- Optional protection system that is easy to assemble and disassemble.
- 2.5-meter robotics cable, with customisation possibilities.
- Connection with COUTH control unit for integration into production lines (see technical file for more information).
- PC edition software.